



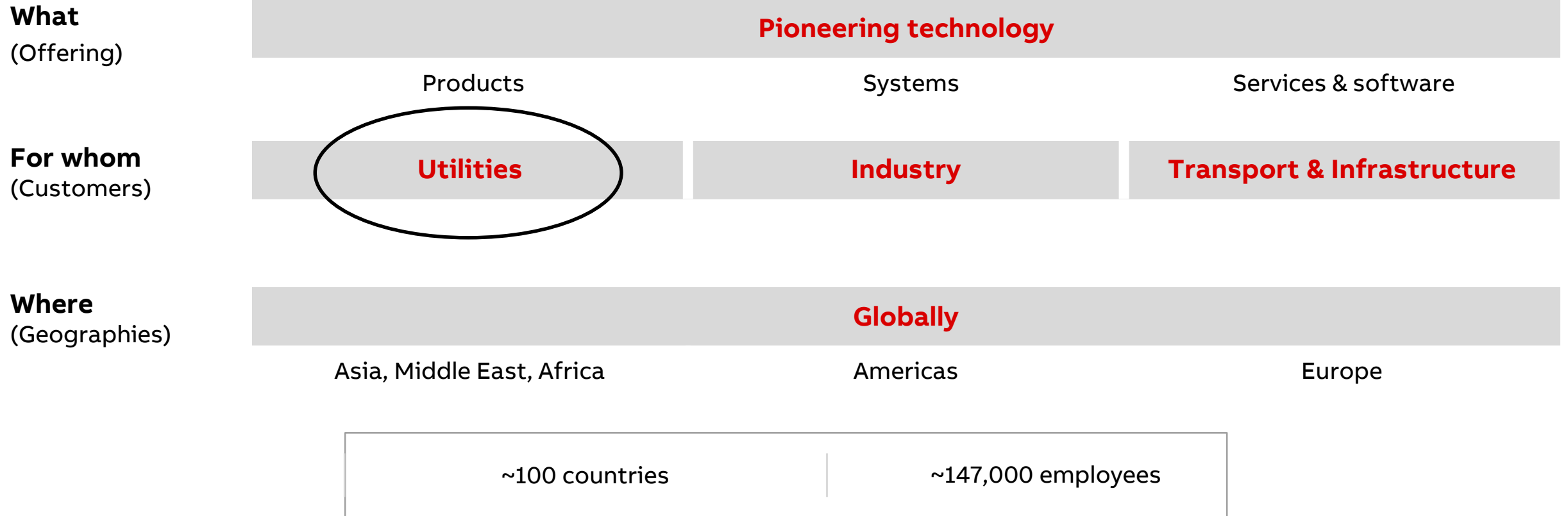
District Heating Optimization

Usage of OSS

Per Larsen, Technology- and Digitalization Director, ABB

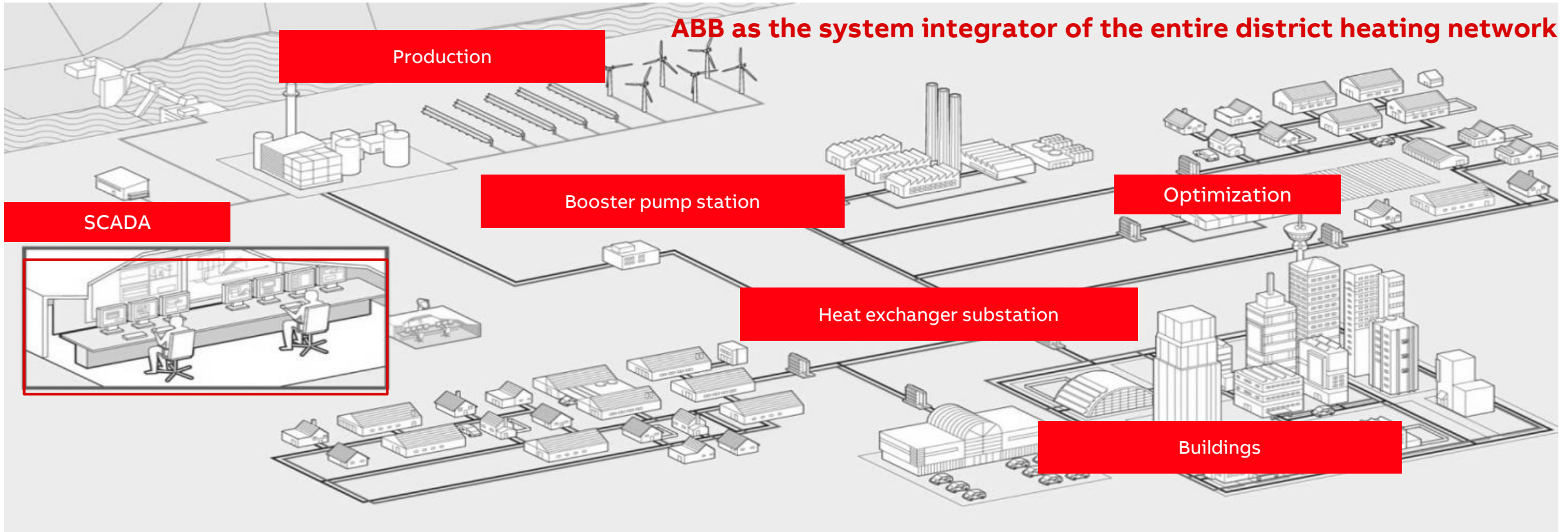


ABB: the pioneering technology leader



ABB's offering for district heating

Integration: Addressing the complete value chain: Production, transmission, distribution



Integrating information from across the energy system

ABB Ability™ Energy Management with OPTIMAX®

Value Proposition

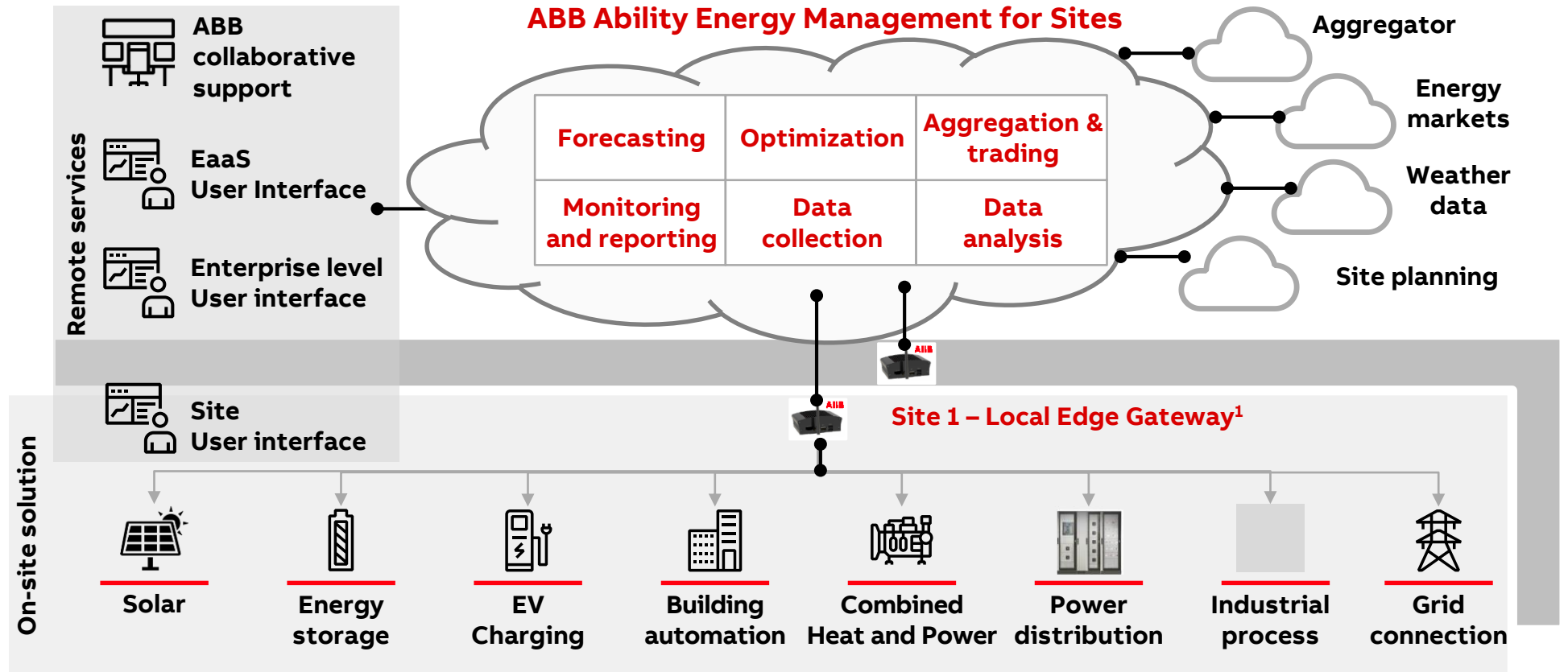
1. Create Visibility
2. Automate Control
3. Optimize Operation

Benefit

- Save energy cost and site emissions
- Save time on reporting and documentation
- Increase revenues by participating in energy markets

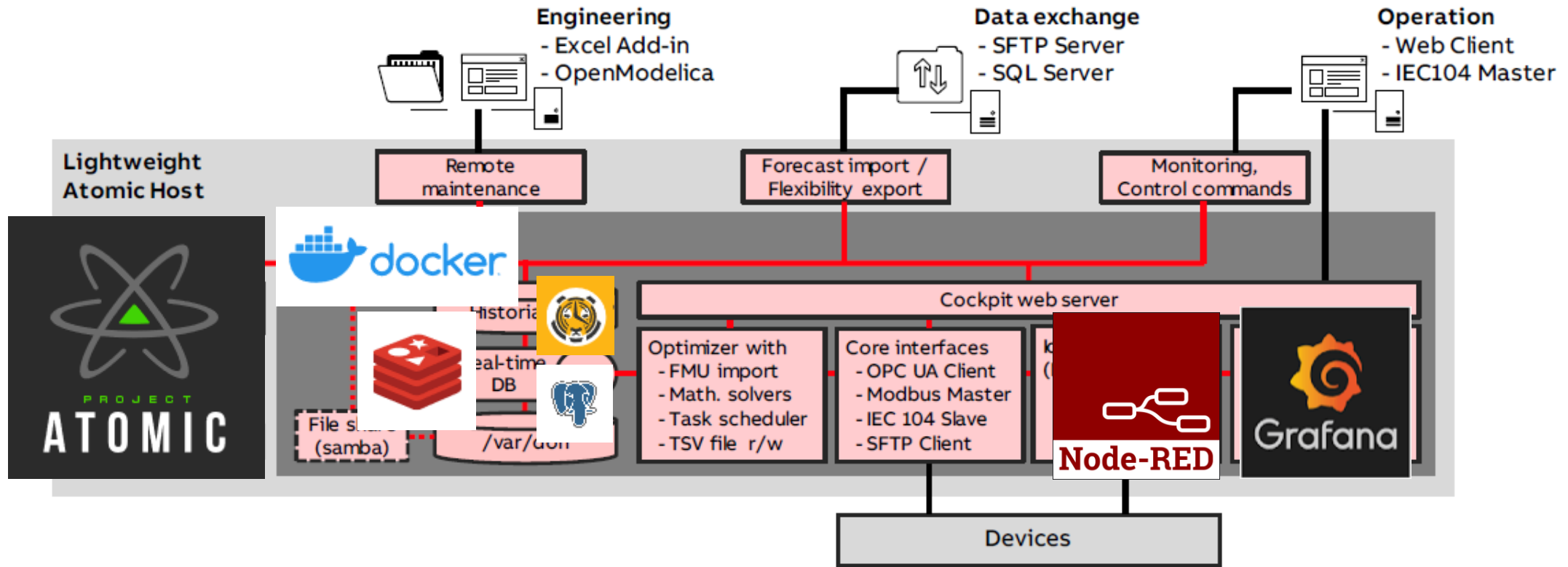
For

- Single sites
- Multiple sites
- Virtual Power Plants



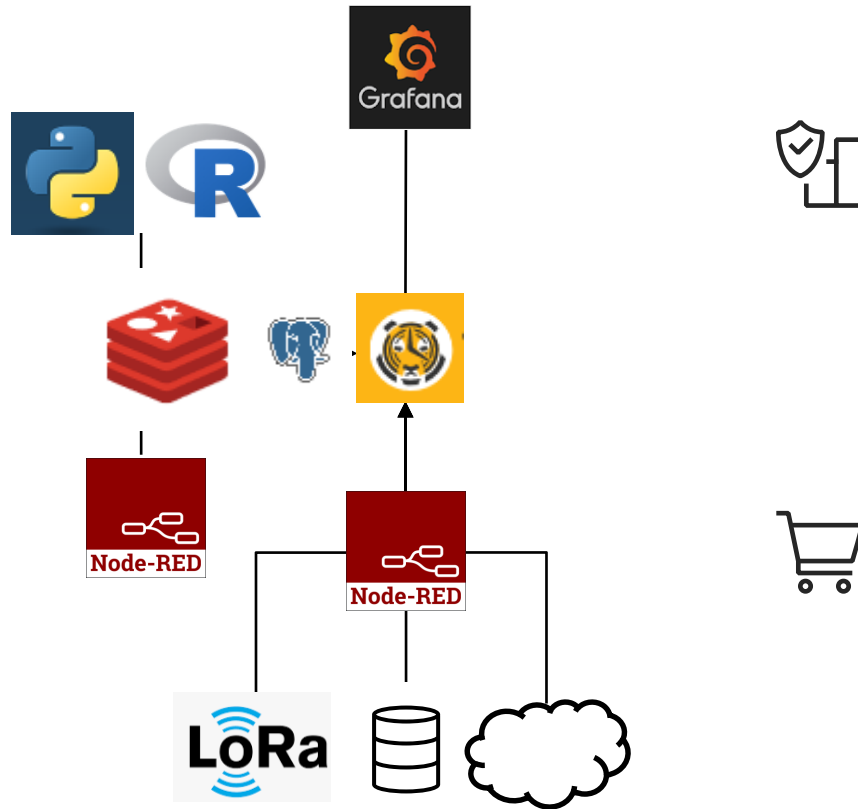
OPTIMAX®

As platform for optimization apps/solutions



District Heating Optimization App

Technologies used



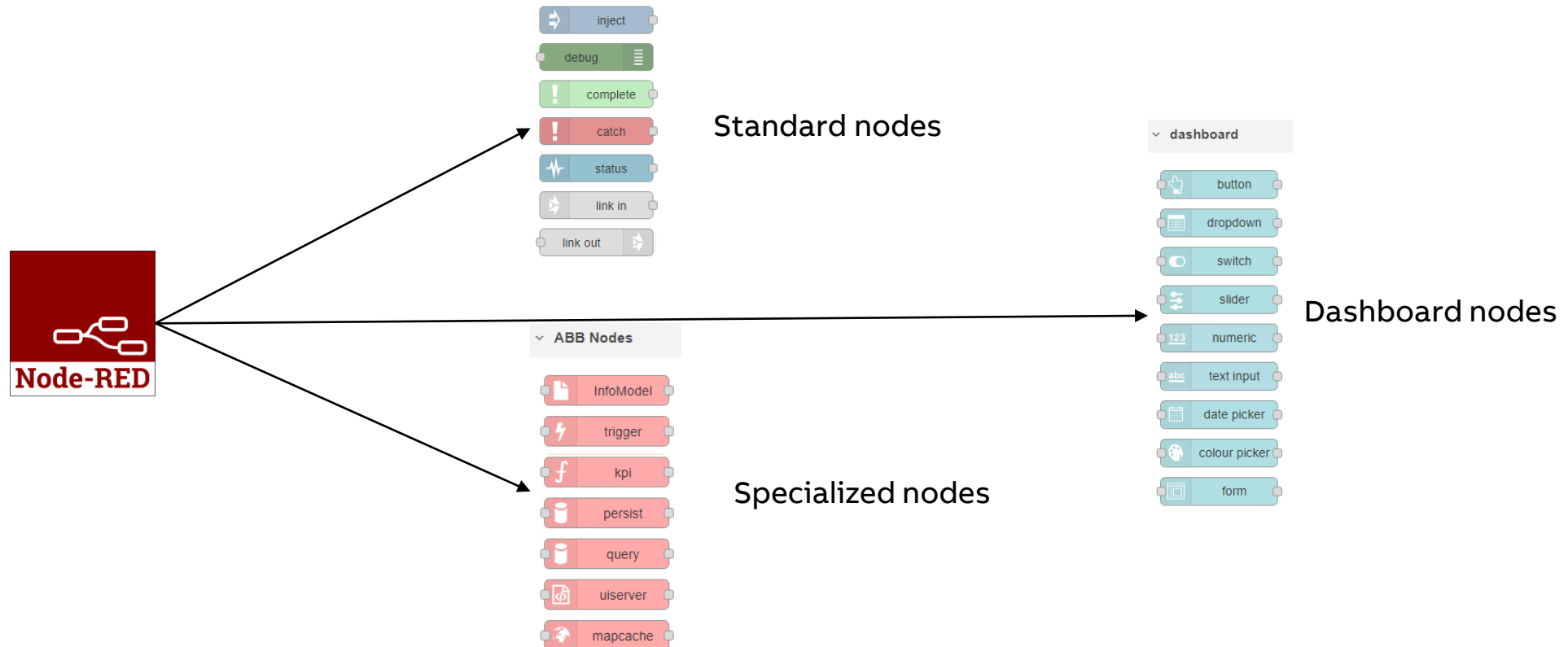
District Heating Optimization App

Technologies used



District Heating Optimization App

Technologies used



District Heating Optimization App

Live Demo!

ABB